



April 2017

GENERAL USE LEVEL DESIGNATION FOR BASIC (TSS) TREATMENT

For

**CONTECH Engineered Solutions
Stormwater Management StormFilter[®]
With ZPG Media at 1 gpm/sq ft media surface area**

Ecology’s Decision:

Based on the CONTECH Engineered Solutions’ (CONTECH) application submissions, Ecology hereby issues a General Use Level Designation (GULD) for the Stormwater Management StormFilter[®] (StormFilter):

1. As a basic stormwater treatment practice for total suspended solids (TSS) removal,
 - Using ZPG[™] media (zeolite/perlite/granular activated carbon), with the size distribution described below,
 - Sized at a hydraulic loading rate of 1 gpm/ft² of media surface area, per Table 1, and
 - Internal bypassing needs to be consistent with the design guidelines in CONTECH’s current product design manual.

Table 1. StormFilter Design Flow Rates per Cartridge

Effective Cartridge Height (inches)	12	18	27
Cartridge Flow Rate (gpm/cartridge)	5	7.5	11.3

2. Ecology approves StormFilter systems containing ZPG[™] media for treatment at the hydraulic loading rates shown in Table 1, and sized based on the water quality design flow rate for an off-line system when using an external bypass vault or a treatment vault with an internal bypass. Contech designs their StormFilter systems to maintain treatment of the water quality design flow while routing excess flows around the treatment chamber during periods of peak bypass. The water quality design flow rates are calculated using the following procedures:

- **Western Washington:** For treatment installed upstream of detention or retention, the water quality design flow rate is the peak 15-minute flow rate as calculated using the latest version of the Western Washington Hydrology Model or other Ecology-approved continuous runoff model.

- **Eastern Washington:** For treatment installed upstream of detention or retention, the water quality design flow rate is the peak 15-minute flow rate as calculated using one of the three methods described in Chapter 2.2.5 of the Stormwater Management Manual for Eastern Washington (SWMMEW) or local manual.
- **Entire State:** For treatment installed downstream of detention, the water quality design flow rate is the full 2-year release rate of the detention facility.

3. This designation has no expiration date, but Ecology may amend or revoke it.

Ecology’s Conditions of Use:

The StormFilter with ZPG media shall comply with the following conditions:

1. Design, install, operate, and maintain the StormFilter with ZPG media in accordance with applicable Contech Engineered Solutions manuals, documents, and the Ecology Decision.
2. Install StormFilter systems to bypass flows exceeding the water quality treatment rate. Additionally, high flows will not re-suspend captured sediments. Design StormFilter systems in accordance with the performance goals in Ecology's most recent Stormwater Manual and CONTECH’s *Product Design Manual Version 4.1 (April 2006)*, or most current version, unless otherwise specified.
3. Owners must follow the design, pretreatment, land use application, and maintenance criteria in CONTECH’s Design Manual.
4. Pretreatment of TSS and oil and grease may be necessary, and designers shall provide pre-treatment in accordance with the most current versions of the CONTECH’s *Product Design Manual (April 2006)* or the applicable Ecology Stormwater Manual. Design pre-treatment using the performance criteria and pretreatment practices provided on Ecology’s “Evaluation of Emerging Stormwater Treatment Technologies” website.
5. Maintenance: The required maintenance interval for stormwater treatment devices is often dependent upon the degree of pollutant loading from a particular drainage basin. Therefore, Ecology does not endorse or recommend a “one size fits all” maintenance cycle for a particular model/size of manufactured filter treatment device.
 - Typically, CONTECH designs StormFilter systems for a target filter media replacement interval of 12 months. Maintenance includes removing accumulated sediment from the vault, and replacing spent cartridges with recharged cartridges.

- **Indications of the need for maintenance include effluent flow decreasing to below the design flow rate, as indicated by the scumline above the shoulder of the cartridge.**
- **Owners/operators must inspect StormFilter with ZPG media for a minimum of twelve months from the start of post-construction operation to determine site-specific maintenance schedules and requirements. You must conduct inspections monthly during the wet season, and every other month during the dry season. (According to the SWMMWW, the wet season in western Washington is October 1 to April 30. According to SWMMEW, the wet season in eastern Washington is October 1 to June 30). After the first year of operation, owners/operators must conduct inspections based on the findings during the first year of inspections.**
- **Conduct inspections by qualified personnel, follow manufacturer’s guidelines, and use methods capable of determining either a decrease in treated effluent flowrate and/or a decrease in pollutant removal ability.**
- **When inspections are performed, the following findings typically serve as maintenance triggers:**

- **Accumulated vault sediment depths exceed an average of 2 inches, or**
- **Accumulated sediment depths on the tops of the cartridges exceed an average of 0.5 inches, or**
- **Standing water remains in the vault between rain events, or**
- **Bypass occurs during storms smaller than the design storm.**

- **Note: If excessive floatables (trash and debris) are present, perform a minor maintenance consisting of gross solids removal, not cartridge replacement.**

6. CONTECH shall maintain readily available reports listed under “Application Documents” (above) as public, as well as the documentation submitted with its previous conditional use designation application. CONTECH shall provide links to this information from its corporate website, and make this information available upon request, at no cost and in a timely manner.

7. ZPG™ media used shall conform with the following specifications:

- **Each cartridge contains a total of approximately 2.6 cubic feet of media. The ZPG™ cartridge consists of an outer layer of perlite that is approximately 1.3 cubic feet in volume and an inner layer, consisting of a mixture of 90% zeolite and 10% granular activated carbon, which is approximately 1.3 cubic feet in volume.**
- **Perlite Media: Perlite media shall be made of natural siliceous volcanic rock free of any debris or foreign matter. The expanded perlite shall**

have a bulk density ranging from 6.5 to 8.5 lbs per cubic foot and particle sizes ranging from 0.09” (#8 mesh) to 0.38” (3/8” mesh).

- **Zeolite Media:** Zeolite media shall be made of naturally occurring clinoptilolite. The zeolite media shall have a bulk density ranging from 44 to 50 lbs per cubic foot and particle sizes ranging from 0.13” (#6 mesh) to 0.19” (#4 mesh). Additionally, the cation exchange capacity (CEC) of zeolite shall range from approximately 1.0 to 2.2 meq/g.
- **Granular Activated Carbon:** Granular activated carbon (GAC) shall be made of lignite coal that has been steam-activated. The GAC media shall have a bulk density ranging from 28 to 31 lbs per cubic foot and particle sizes ranging from a 0.09” (#8 mesh) to 0.19” (#4 mesh).

Approved Alternate Configurations

Peak Diversion StormFilter

1. The Peak Diversion StormFilter allows for off-line bypass within the StormFilter structure. Design capture flows and peak flows enter the inlet bay which contains an internal weir. The internal weir allows design flows to enter the cartridge bay through a transfer hole located at the bottom of the inlet bay while the unit routs higher flows around the cartridge bay.
2. To select the size of the Peak Diversion StormFilter unit, the designer must determine the number of cartridges required and size of the standard StormFilter using the site-specific water quality design flow and the **StormFilter Design Flow Rates per Cartridge** as described above.
3. New owners may not install the Peak Diversion StormFilter at an elevation or in a location where backwatering may occur.

Applicant: Contech Engineered Solutions

Applicant’s Address: 11835 NE Glenn Widing Dr.
Portland, OR 97220

Application Documents:

The applicant’s master report, titled, “The Stormwater Management StormFilter Basic Treatment Application for General Use Level Designation in Washington”, Stormwater Management, Inc., November 1, 2004, includes the following reports:

- (Public) *Evaluation of the Stormwater Management StormFilter Treatment System: Data Validation Report and Summary of the Technical Evaluation Engineering Report (TEER) by Stormwater Management Inc.*, October 29, 2004 Ecology’s technology assessment protocol requires the applicant to hire an independent consultant to complete the following work:

1. Complete the data validation report.
 2. Prepare a TEER summary, including a testing summary and conclusions compared with the supplier's performance claims.
 3. Provide a recommendation of the appropriate technology use level.
 4. Work with Ecology to post recommend relevant information on Ecology's website.
 5. Provide additional testing recommendations, if needed."
 6. This report, authored by Dr. Gary Minton, Ph. D., P.E., Resource Planning Associates, satisfies the Ecology requirement.
- (Public) "Performance of the Stormwater Management StormFilter Relative to the Washington State Department of Ecology Performance Goals for Basic Treatment," is a summary of StormFilter performance that strictly adheres to the criteria listed in the Guidance for Evaluating Emerging Stormwater Treatment Technologies, Technology Assessment Protocol – Ecology (TAPE).
 - "Heritage Marketplace Field Evaluation: Stormwater Management StormFilter with ZPG™ Media," is a report showing all of the information collected at Site A as stated in the SMI Quality Assurance Project Plan (QAPP). This document contains detailed information regarding each storm event collected at this site, and it provided a detailed overview of the data and project.
 - "Lake Stevens Field Evaluation: Stormwater Management StormFilter with ZPG™ Media," is a report that corresponds to Site E as stated in the SMI QAPP. This document contains detailed information regarding each storm collected at this site, and includes a detailed overview of the data and project.
 - (Public) "Evaluation of the Stormwater Management StormFilter for the removal of SIL-CO-SIL 106, a standardized silica product: ZPG™ at 7.5 GPM" is a report that describes laboratory testing at full design flow.
 - "Factors Other Than Treatment Performance."
 - "State of Washington Installations."
 - "Peak Diversion StormFilter" is a technical document demonstrating the Peak Diversion StormFilter system complies with the Stormwater Management Manual for Western Washington Volume V Section 4.5.1.

Above-listed documents noted as "public" are available by contacting CONTECH.

Applicant's Use Level Request:

That Ecology grant a General Use Level Designation for Basic Treatment for the StormFilter using ZPG™ media (zeolite/perlite/granular activated carbon) at a hydraulic loading rate of 1 gpm/ft² of media surface area in accordance with Ecology's 2011 *Technical Guidance Manual for Evaluating Emerging Stormwater Treatment Technologies Technology Assessment Protocol – Ecology (TAPE)*.

Applicant's Performance Claim:

The combined data from the two field sites reported in the TER (Heritage Marketplace and Lake Stevens) indicate that the performance of a StormFilter system configured for inline bypass with ZPG™ media and a hydraulic loading rate of 1 gpm/ft² of media surface area meets Ecology performance goals for Basic Treatment.

Ecology's Recommendations:

Based on the weight of the evidence and using its best professional judgment, Ecology finds that:

- StormFilter, using ZPG™ media and operating at a hydraulic loading rate of no more than 1 gpm/ft² of media surface area, is expected to provide effective stormwater treatment achieving Ecology's Basic Treatment (TSS removal) performance goals. Contech demonstrated this is through field and laboratory testing performed in accordance with the approved protocol. StormFilter is deemed satisfactory with respect to factors other than treatment performance (e.g., maintenance; see the protocol's Appendix B for complete list).

Findings of Fact:

- Influent TSS concentrations and particle size distributions were generally within the range of what Ecology considers "typical" for western Washington (silt-to-silt loam).
- Contech sampled thirty-two (32) storm events at two sites for storms from April 2003 to March 2004, of which Contech deemed twenty-two (22) as "qualified" and were therefore included in the data analysis set.
- Statistical analysis of these 22 storm events verifies the data set's adequacy.
- Analyzing all 22 qualifying events, the average influent and effluent concentrations and aggregate pollutant load reduction are 114 mg/L, 25 mg/L, and 82%, respectively.
- Analyzing all 22 qualifying events based on the *estimated average* flow rate during the event (versus the *measured peak* flow rate), and more heavily weighting those events near the design rate (versus events either far above or well below the design rate) does not significantly affect the reported results.
- For the 7 qualifying events with influent TSS concentrations greater than 100 mg/L, the average influent and effluent concentrations and aggregate pollutant load reduction are 241 mg/L, 34 mg/L, and 89%, respectively. If we exclude the 2 of 7 events that exceed the maximum 300 mg/L specified in Ecology's guidelines, the average influent and effluent concentrations and aggregate pollutant load reduction are 158 mg/L, 35 mg/L, and 78%, respectively.
- For the 15 qualifying events with influent TSS concentrations less than 100 mg/L, the average influent and effluent concentrations and aggregate pollutant load reduction are 55 mg/L, 20 mg/L, and 61%, respectively. If the 6 of 15 events that fall below the minimum 33 mg/L TSS specified in Ecology's guidelines are excluded, the average

influent and effluent concentrations and aggregate pollutant load reduction are 78 mg/L, 26 mg/L, and 67%, respectively.

- For the 8 qualifying events with peak discharge exceeding design flow (ranging from 120 to 257% of the design rate), results ranged from 52% to 96% TSS removal, with an average of 72%.
- Due to the characteristics of the hydrographs, the field results generally reflect flows below (ranging between 20 and 60 percent of) the tested facilities' design rate. During these sub-design flow rate periods, some of the cartridges operate at or near their *individual* full design flow rate (generally between 4 and 7.5 GPM for an 18" cartridge effective height) because their float valves have opened. Float valves remain closed on the remaining cartridges, which operate at their base "trickle" rate of 1 to 1.5 GPM.
- Laboratory testing using U.S. Silica's Sil-Co-Sil 106 fine silica product showed an average 87% TSS removal for testing at 7.5 GPM per cartridge (100% design flow rate).
- Other relevant testing at I-5 Lake Union, Greenville Yards (New Jersey), and Ski Run Marina (Lake Tahoe) facilities shows consistent TSS removals in the 75 to 85% range. *Note that the evaluators operated the I-5 Lake Union at 50%, 100%, and 125% of design flow.*
- SMI's application included a satisfactory "Factors other than treatment performance" discussion.

Note: Ecology's 80% TSS removal goal applies to 100 mg/l and greater influent TSS. Below 100 mg/L influent TSS, the goal is 20 mg/L effluent TSS.

Technology Description:

The Stormwater Management StormFilter[®] (StormFilter), a flow-through stormwater filtration system, improves the quality of stormwater runoff from the urban environment by removing pollutants. The StormFilter can treat runoff from a wide variety of sites including, but not limited to: retail and commercial development, residential streets, urban roadways, freeways, and industrial sites such as shipyards, foundries, etc.

Operation:

The StormFilter is typically comprised of a vault that houses rechargeable, media-filled, filter cartridges. Various media may be used, but this designation covers only the zeolite-perlite-granulated activated carbon (ZPG[™]) medium. Stormwater from storm drains percolates through these media-filled cartridges, which trap particulates and may remove pollutants such as dissolved metals, nutrients, and hydrocarbons. During the filtering process, the StormFilter system also removes surface scum and floating oil and grease. Once filtered through the media, the treated stormwater is directed to a collection pipe or discharged to an open channel drainage way.

This document includes a bypass schematic for flow rates exceeding the water quality design flow rate on page 8.

StormFilter Configurations:

Contech offers the StormFilter in multiple configurations: precast, high flow, catch basin, curb inlet, linear, volume, corrugated metal pipe, drywell, and CON/Span form. Most configurations use pre-manufactured units to ease the design and installation process. Systems may be either uncovered or covered underground units.

The typical precast StormFilter unit is composed of three sections: the energy dissipater, the filtration bay, and the outlet sump. As Stormwater enters the inlet of the StormFilter vault through the inlet pipe, piping directs stormwater through the energy dissipater into the filtration bay where treatment will take place. Once in the filtration bay, the stormwater ponds and percolates horizontally through the media contained in the StormFilter cartridges. After passing through the media, the treated water in each cartridge collects in the cartridge's center tube from where piping directs it into the outlet sump by a High Flow Conduit under-drain manifold. The treated water in the outlet sump discharges through the single outlet pipe to a collection pipe or to an open channel drainage way. In some applications where you anticipate heavy grit loads, pretreatment by settling may be necessary.

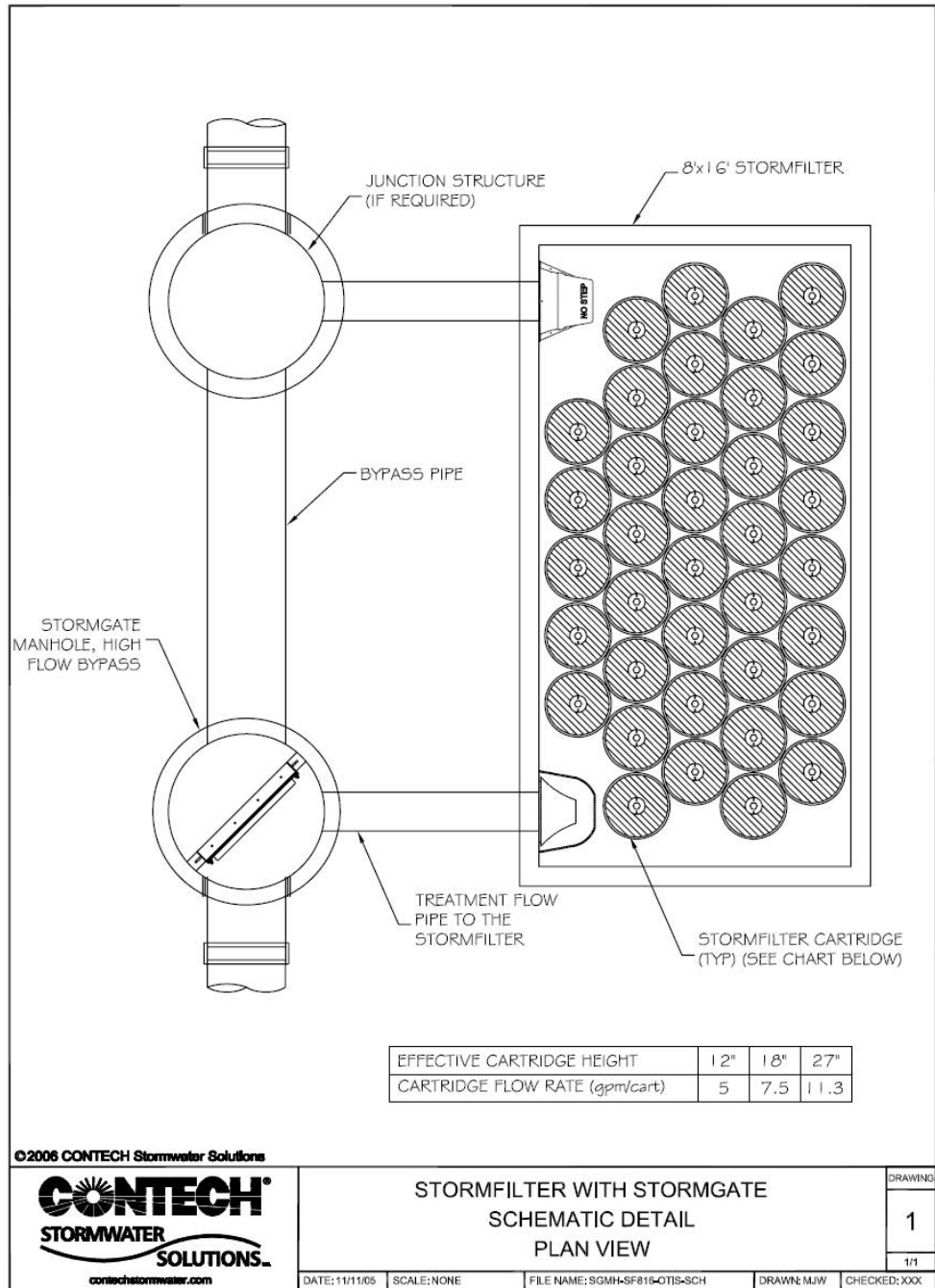


Figure 1. Stormwater Management StormFilter Configuration with Bypass

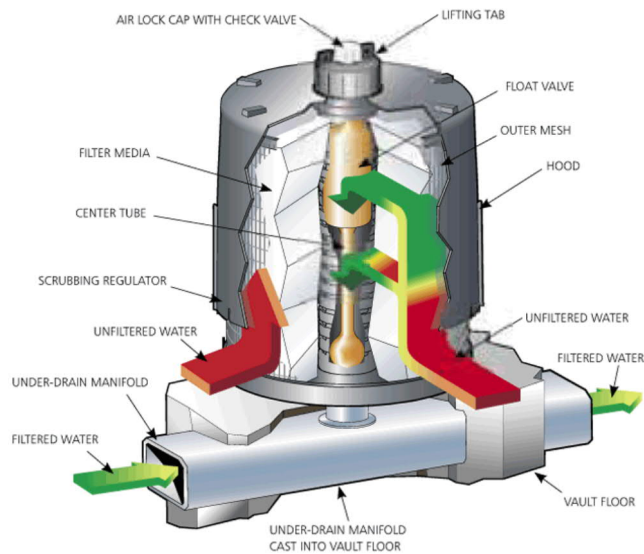


Figure 2. The StormFilter Cartridge

Cartridge Operation:

As the water level in the filtration bay begins to rise, stormwater enters the StormFilter cartridge. Stormwater in the cartridge percolates horizontally through the filter media and passes into the cartridge's center tube, where the float in the cartridge is in a closed (downward) position. As the water level in the filtration bay continues to rise, more water passes through the filter media and into the cartridge's center tube. Water displaces the air in the cartridge and it purges from beneath the filter hood through the one-way check valve located in the cap. Once water fills the center tube there is enough buoyant force on the float to open the float valve and allow the treated water to flow into the under-drain manifold. As the treated water drains, it tries to pull in air behind it. This causes the check valve to close, initiating a siphon that draws polluted water throughout the full surface area and volume of the filter. Thus, water filters through the entire filter cartridge throughout the duration of the storm, regardless of the water surface elevation in the filtration bay. This continues until the water surface elevation drops to the elevation of the scrubbing regulators. At this point, the siphon begins to break and air quickly flows beneath the hood through the scrubbing regulators, causing energetic bubbling between the inner surface of the hood and the outer surface of the filter. This bubbling agitates and cleans the surface of the filter, releasing accumulated sediments on the surface, flushing them from beneath the hood, and allowing them to settle to the vault floor.

Adjustable cartridge flow rate:

Inherent to the design of the StormFilter is the ability to control the individual cartridge flow rate with an orifice-control disc placed at the base of the cartridge. Depending on the treatment requirements and on the pollutant characteristics of the influent stream as

specified in the CONTECH *Product Design Manual*, operators may adjust the flow rate through the filter cartridges. By decreasing the flow rate through the filter cartridges, the influent contact time with the media is increased and the water velocity through the system is decreased, thus increasing both the level of treatment and the solids removal efficiencies of the filters, respectively (de Ridder, 2002).

Recommended research and development:

Ecology encourages CONTECH to pursue continuous improvements to the StormFilter. To that end, CONTECH recommends the following actions:

- Determine, through laboratory testing, the relationship between accumulated solids and flow rate through the cartridge containing the ZPG™ media. **Completed 11/05.**
- Determine the system's capabilities to meet Ecology's enhanced, phosphorus, and oil treatment goals.
- Develop easy-to-implement methods of determining that a StormFilter facility requires maintenance (cleaning and filter replacement).

Contact Information:

Applicant Contact: Jeremiah Lehman
Contech Engineered Solutions
11835 NE Glenn Widing Drive
Portland, OR, 97220
503-258-3136
jlehman@conteches.com

Applicant Web link <http://www.conteches.com/>

Ecology web link: <http://www.ecy.wa.gov/programs/wq/stormwater/newtech/index.html>

Ecology Contact: Douglas C. Howie, P.E.
Department of Ecology
Water Quality Program
(360) 407-6444
douglas.howie@ecy.wa.gov

Revision History

Date	Revision
Jan 2005	Original Use Level Designation
Dec 2007	Revision
May 2012	Maintenance requirements updated
November 2012	Design Storm and Maintenance requirements updated
January 2013	Updated format to match Ecology standard format
September 2014	Added Peak Diversion StormFilter Alternate Configuration
November 2016	Revised Contech contact information
April 2017	Revised sizing language to note sizing based on Off-line calculations